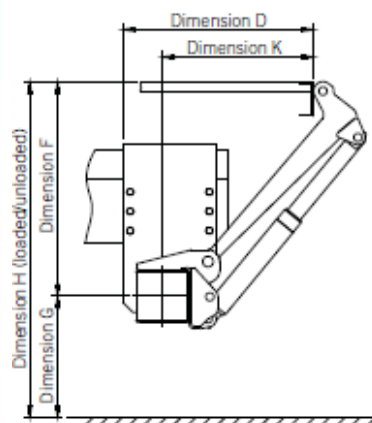


MBB C 1500 L

PRACTICAL AND EFFICIENT WITH OPTIMISED WEIGHT



WEIGHTS

Aluminium platform type

Platform width (mm)	2,500
Platform height (mm)	
1,600	390 kg
1,700	398 kg
1,800	405 kg
2,050	415 kg

Steel platform type

Platform width (mm)	2,500
Platform height (mm)	
1,509	510 kg
1,809	570 kg

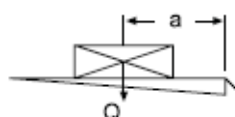
- The lightweight tail lift for a high payload capacity
- 1,500 kg lifting capacity with 600 mm load distance
- Four-cylinder lifting mechanism with three lifting arm lengths from 700 to 900 mm
- Design with aluminium or steel platform
- Wide range of special equipment available

DIMENSIONS

Lifting arm lengths (mm)	700	800	900
H (max.) loading height, unloaded	1,256	1,409	1,546
H (min.) loading height, loaded	906	922	998
F (max.) middle of main beam to upper edge of loading floor	728	811	894
K (min.) at dimension F (max.)	515	571	627
D (min.) installation dimension, minimum	665	721	777
F (min.)	529	572	625
K (max.) at dimension F (min.)	710	801	886
D (max.) installation dimension, maximum	860	951	1,036

LOAD DIAGRAM

a (mm)	Q (kg)
600	1500
720	1250
900	1000
1,200	750



TECHNICAL DATA

Type	MBB C 1500 L
Lifting capacity	1,500 kg
Main beam	180x 180 mm
Lifting gear hydraulics	2 lifting cylinders / 2 tilting cylinders
Platform overlap with floor	-57 mm
Lifting arm pitch	1,310 mm
Load centre, longitudinal	600 mm
Load centre, across centre	Central, 50% of rated load on one side
Inclination angle of the platform	+90° to -10°

Some of the tail lifts pictured feature special customer-specific equipment. Country-specific regulations must be considered for the tail lift installation. Dimensions may vary. Subject to technical changes, errors and translation mistakes.